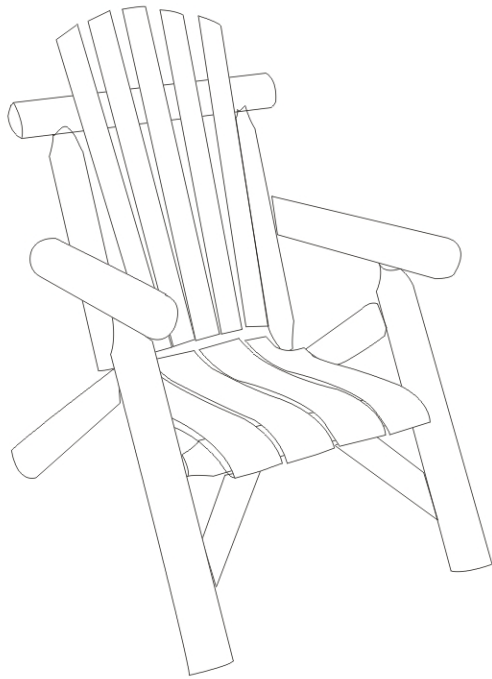


ASSEMBLY INSTRUCTION

DO NOT RETURN THIS PRODUCT TO THE STORE. FOR MISSING PARTS OR QUESTIONS TO THIS PRODUCT PLEASE EMAIL US AT llj@jiayi-gardening.net OR anji@jiayi-gardening.net.



NOTE: LOGS WILL CRACK AND SPLIT GIVING THE FURNITURE A "NATURAL RUSTIC LOOK".

COMPONENTS

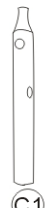
Preassembled Back (1pc)



Preassembled Seat (1pc)



Left front leg (1pc)



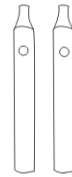
Right front leg (1pc)



Chair Arms (2pcs)



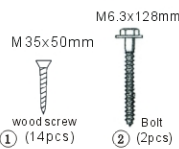
Back log legs (2pcs)



Leg Braces (2pcs)



HARDWARE



TOOL REQUIRED

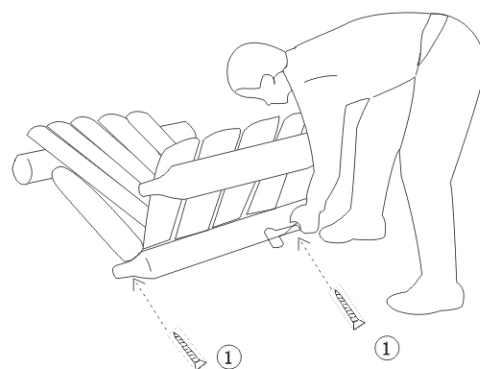
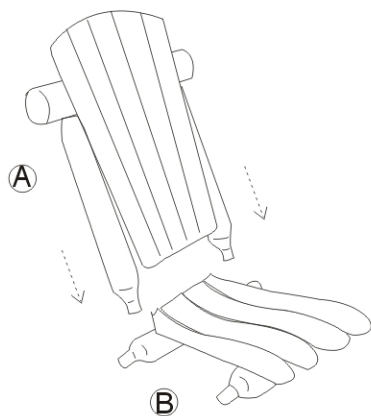


TOOL PROVIDED

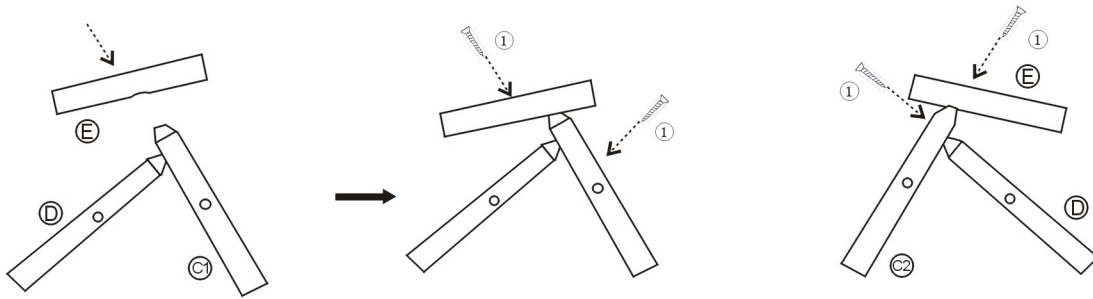


- NOTE: 1. Please read all instruction sheet carefully before you start assembly.
2. Do not completely tighten any screws until the units is fully assembled and setting on a level surface.
3. Use a block of wood between the hammer and unit when driving dowel ends into pre-drilled holes.

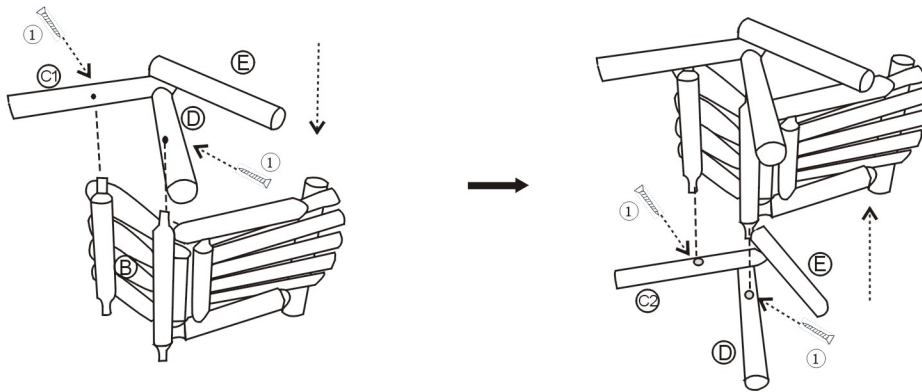
STEP1: Lay B on floor. Insert dowel end of uprights on A into holes on the rail of B, adjust uprights in or out as needed to align properly, do not tap B with hammer. To avoid the seat rail from splitting, lay A on floor and drive B on by hitting its bottom.



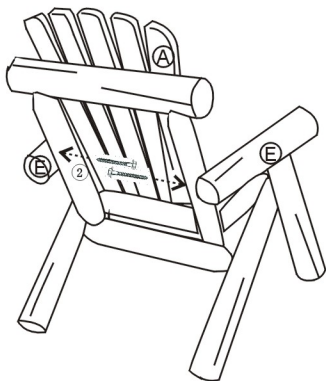
STEP2: Assemble left side arm and leg set by inserting dowel end of (D) into angled hole of (C1), and the dowel end of (C1) into angled hole of (E). Then follow the same procedure to assemble right side arm and leg set.



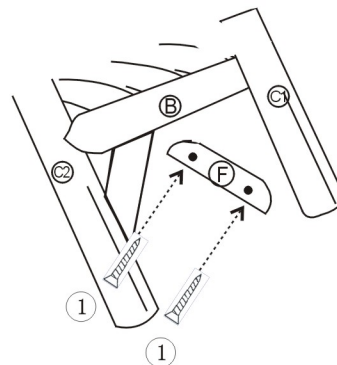
STEP3: Lay assembled back and seat on its right side, insert dowel end of (B) into holes of (C1) and (D) from left side arm and leg set. Then turn the finished set over, follow the same procedure to combine the right side arm and leg set on it.



STEP4: With the finished chair set on a level surface, use a hammer to hit bolt (2) through the uprights of (A) into the predrilled holes in (E), tightened with 2/5" wrench. Secure all the places with screw (1) as all the pictures shows in STEP 1,2,3.



STEP5: Combine (F) to the rail of (B) and the front leg (C1 & C2), fasten them with screw (1).



STEP6: Go back and Tighten all screws and bolts. Note: Over time, screws and bolts can loosen. Occasionally, re-check all screws and bolts and tighten if necessary.

WARNING: Proper use of this chair is for single person seating only. Chair is not to be used for standing purposes and will not function properly as a stool or step-ladder. Use on even surfaces only. Please ensure all bolts and screws are properly tightened before use. Chair tested for use at weight 397 lb. (180.1 kg). Improper use of this product or failure to use as directed may result in injury.