

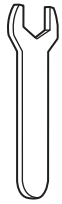
SOFA

ASSEMBLY INSTRUCTIONS

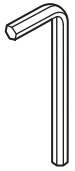
TOLL FREE 1-877-693-8866 LIFESTYLE SOLUTIONS

PARTS AND HARDWARE

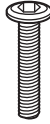
Avoid using sharp objects such as a knife to open packaging as you may accidentally damage the upholstery.



14mm Mini Spanner
x1



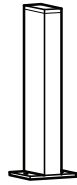
M5 Allen Key
1x



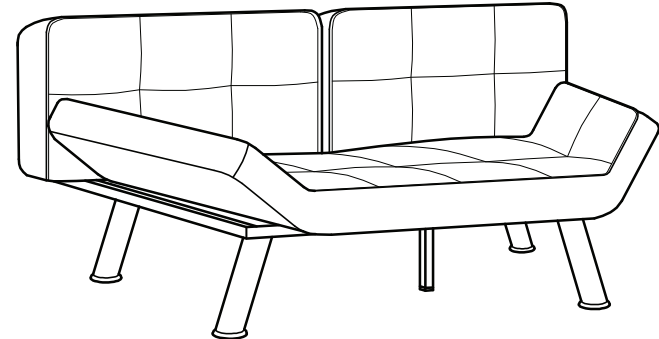
M8 x 16mm Bolt
22x



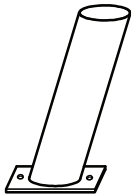
M8 Nut
4x



Center Leg
1x



Sofa with Armrest



Leg
4x



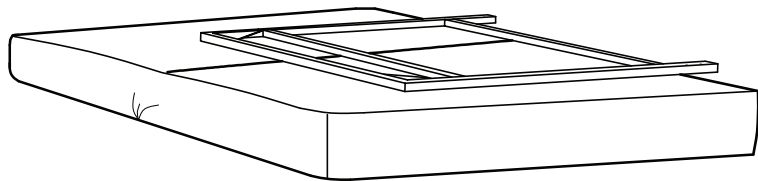
Metal Cap
4x



Plastic Cap
4x



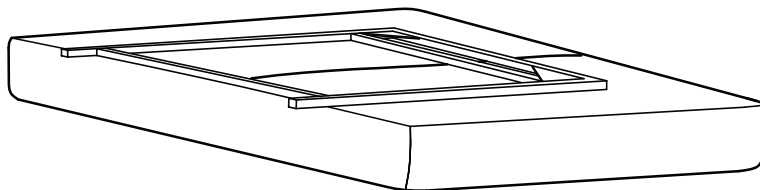
Sofa Cover
1x



Left Sofa Body
1x



Connecting Bar
2x



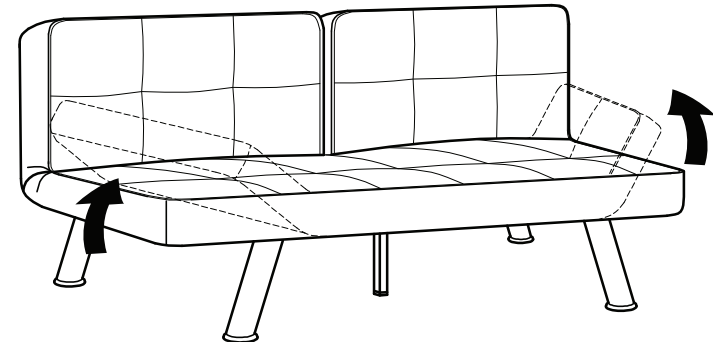
Right Sofa Body
1x

ADJUSTING ARMREST POSITIONS

1. Standing in front of the unit, lift the armrest to the desired position and secure it in place by releasing to the sound of a *click*.
2. To return to a flat position, lift the armrest all the way up to the end, releasing the locking mechanism and carefully return to a flat position.

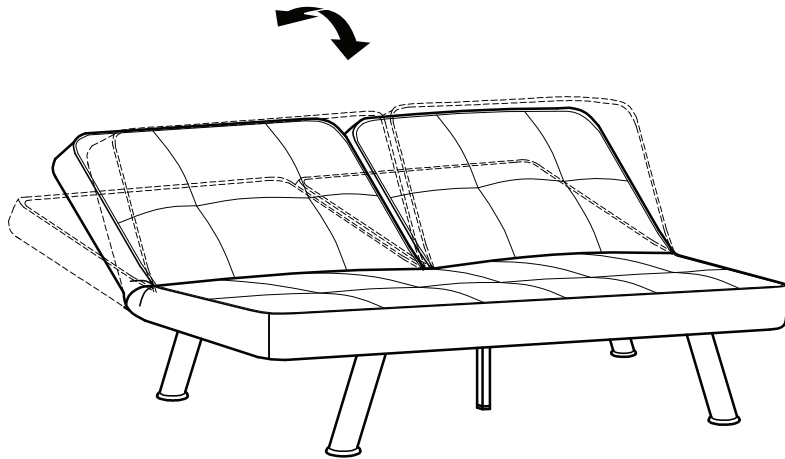
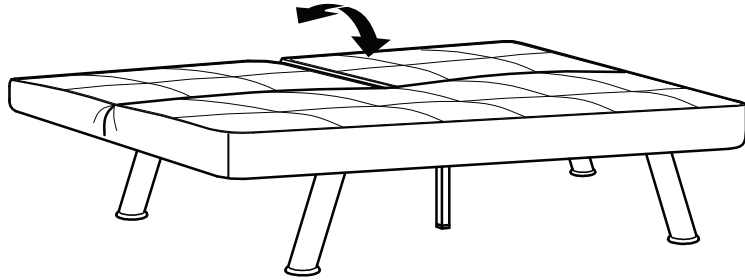
IMPORTANT

During conversion, ensure lifting is done on bottom of armrest.



Converting to Bed

From sofa or lounge position, lift backrest all the way upwards until the last click is heard which unlocks the mechanism. Carefully return to a flat position.



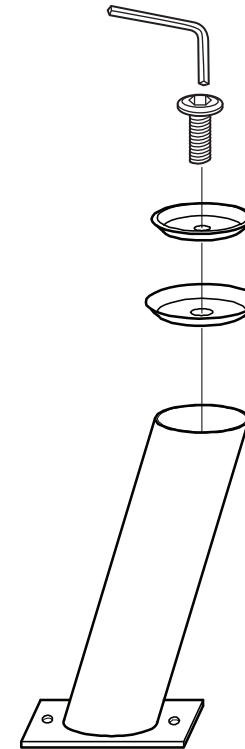
Splitback

ASSEMBLY INSTRUCTIONS

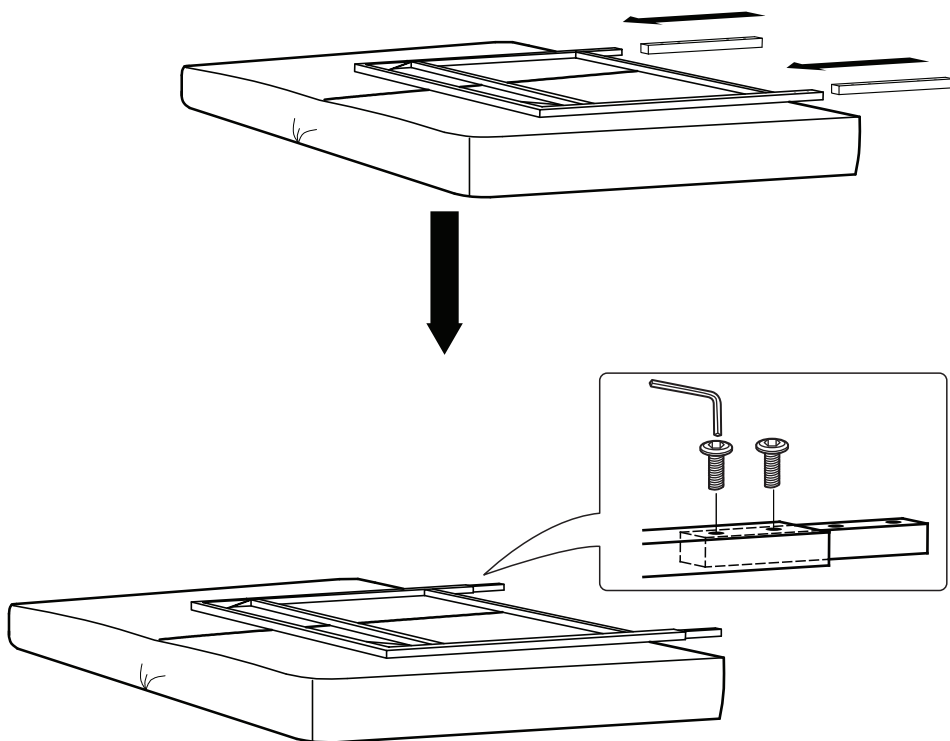
CAUTION: At least two adults are required to safely performing this task.
Other lifting attempts may risk back injury due to large and heavy part(s).



- 1** Carefully place all components and hardware on a flat surface. Place sofa legs as shown below, align metal cap and plastic cap onto the bottom of metal legs, use Allen key to secure the metal cap, plastic cap and leg with a bolt.



- 2** Place sofa body as shown below. Insert both connecting bars to bottom metal frame (left sofa body), until pre-drilled holes are aligned. Next secure the metal frame and connecting bar with two bolts at each side. Do not tighten them yet.

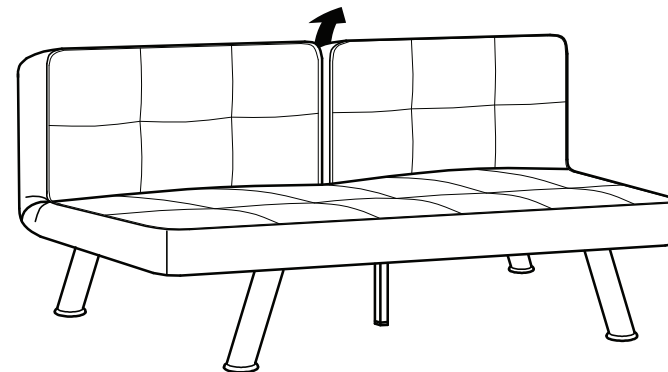


- 3** Repeat Step 2 on the right sofa body as shown below.

OPERATING YOUR UNIT

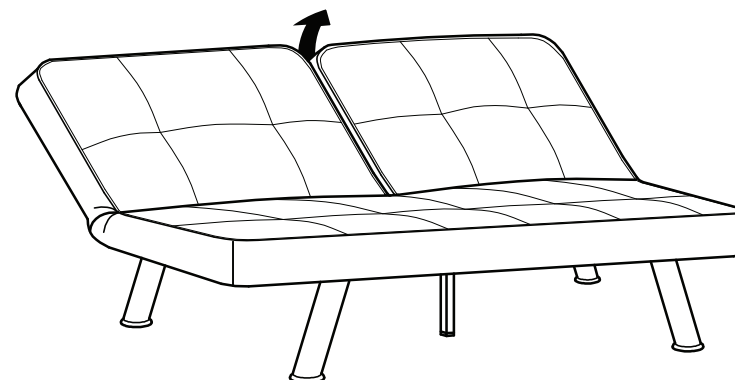
Converting to Sofa

Standing at the side of the unit (from bed position), lift backrest to the desired position and secure in place by releasing to the sound of a click.

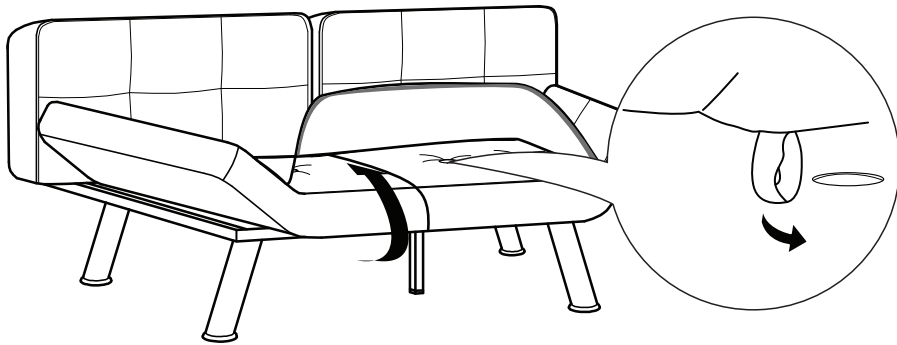


Converting to Lounger

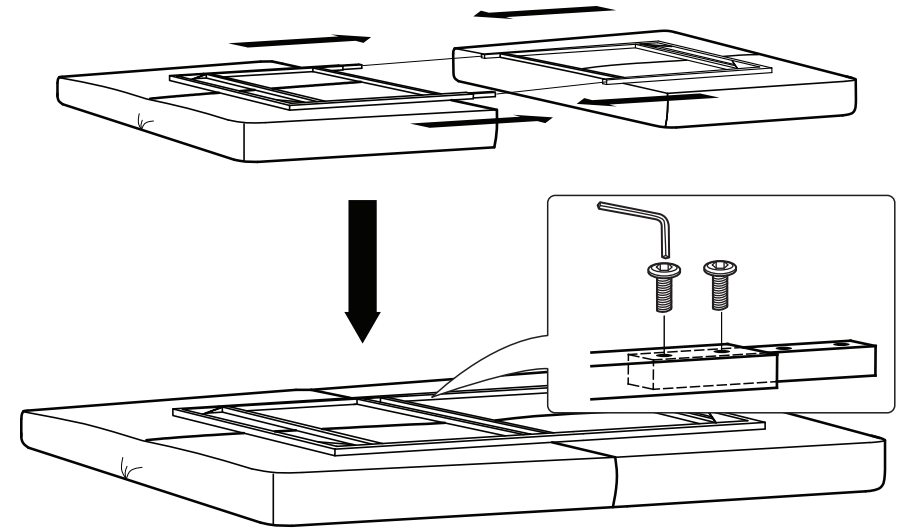
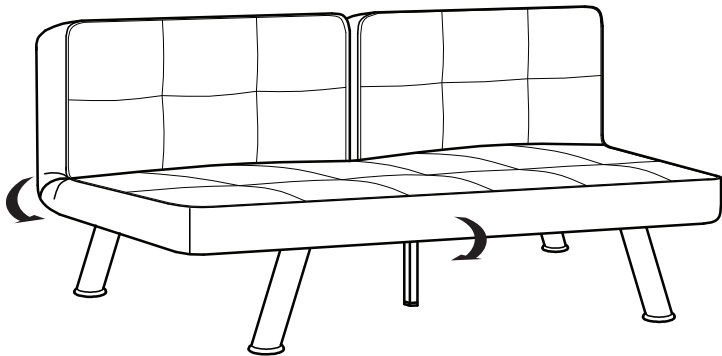
In bed position, lift backrest upwards with each click sound until the desired lounge position is reached.



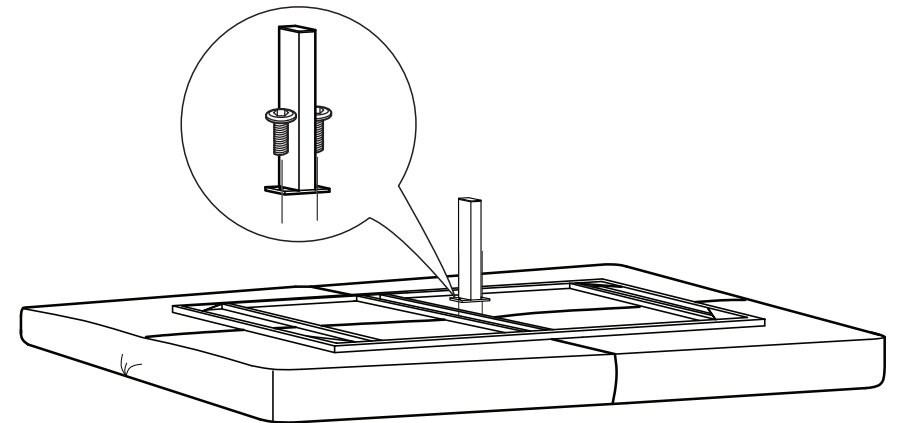
9 Repeat Step 7 for locating the pegs on the seat of sofa.



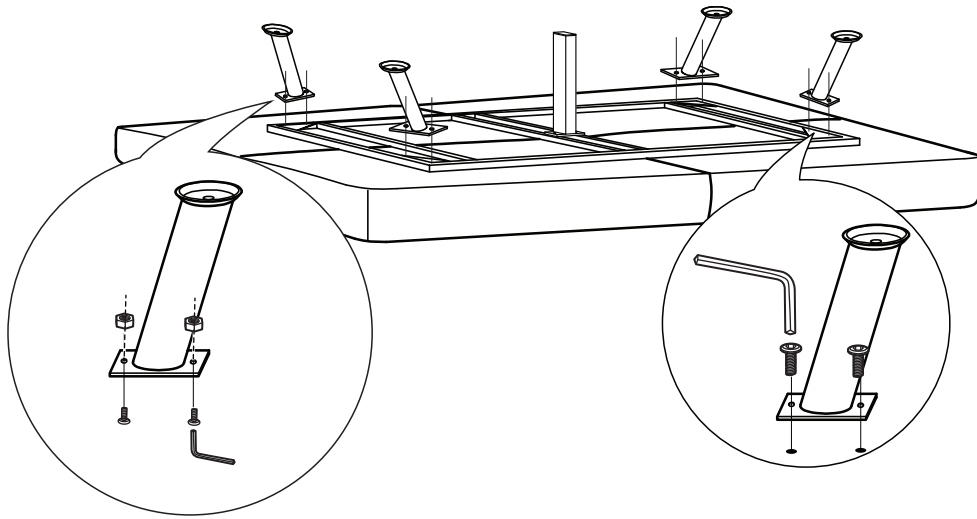
10 Finally, stretch and pull down the rear, seat body, and front cover evenly before securing the velcro strip to the bottom of the backrest and seat base. Repeat if necessary for a better fit.



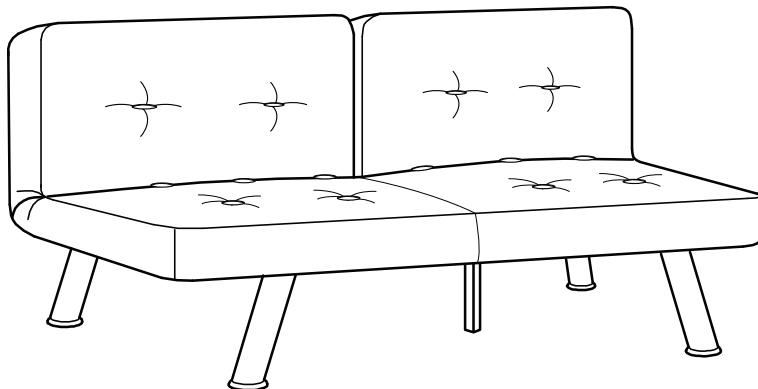
4 Align the center leg onto the pre-drilled holes located on the metal frames and secure with two bolts using the Allen key provided. Tighten all bolts completely.



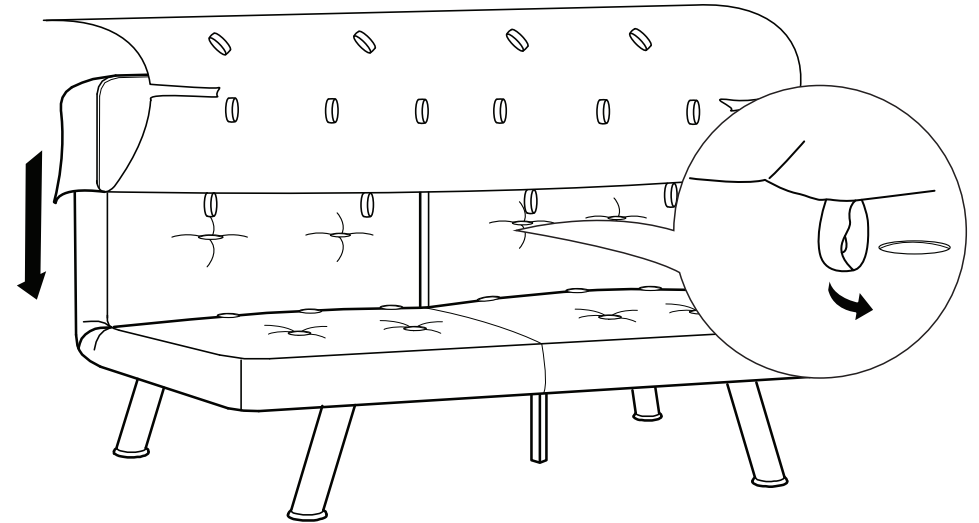
- 5** Align the front legs in the correct direction and secure two bolts with the Allen key. Next, Align the back legs in the correct direct direction and secure two bolts and two nuts again using the Allen key provided.



- 6** Carefully lift and turn assembled unit onto its legs. Lift backrest to sofa position as shown below (refer page 9 "Operating Your Unit").



- 7** Begin to place the cover onto the back of the sofa. Slip the cover onto both sides of the backrest at the same time. Secure the inside of the cover with the elastic loops and pegs located on the sofa body. Ensure all pegs on the backrest and center of the sofa are secured.



- 8** Lift the armrest to the desired position as shown below (refer page 9 "Operating Your Unit"). Now start to slip on the armrest cover as shown below.

